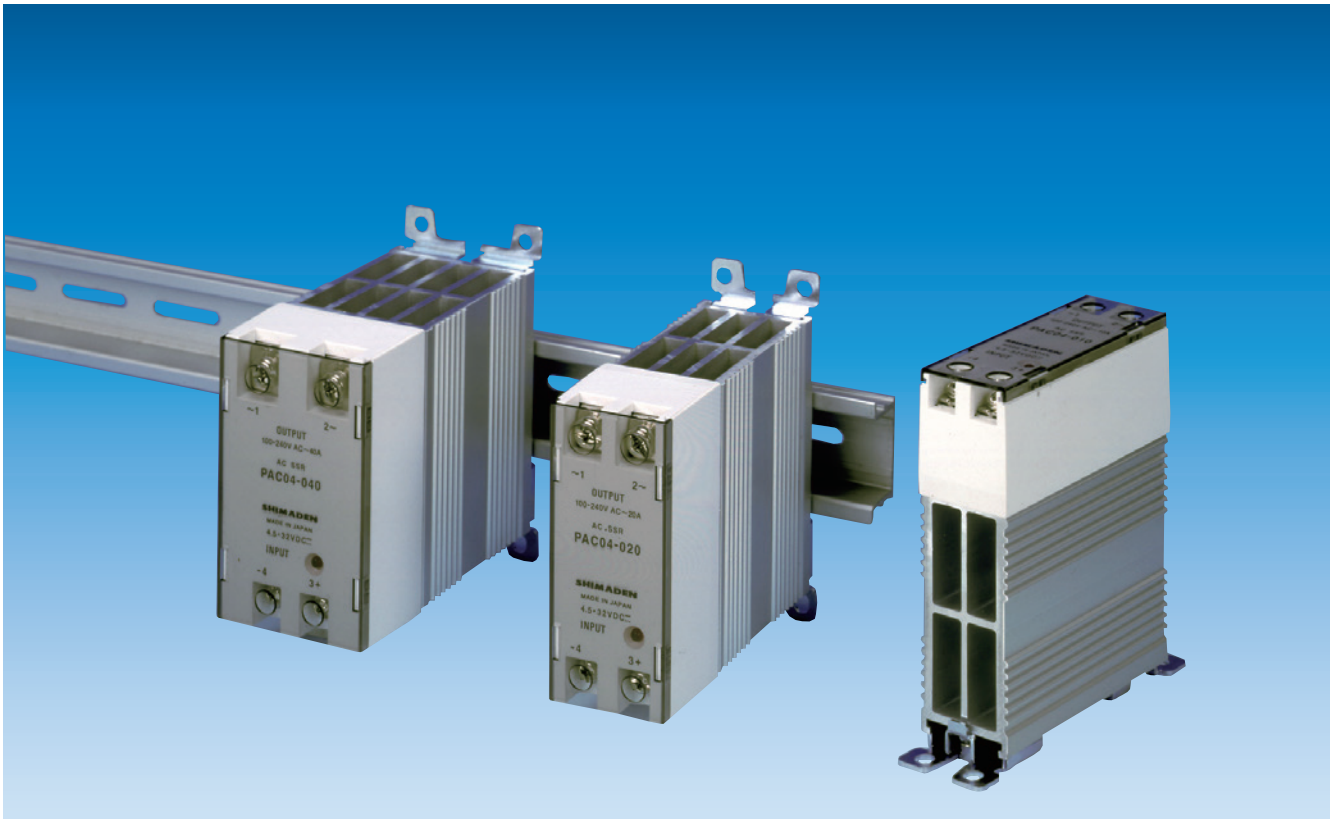


°C
%RH
<b>SHIMADEN</b>

# Series PAC04

## PAC04 SERIES SOLID STATE RELAY



### PRODUCT FEATURE

- **Built-in heat sink & Slim model**
- **DIN rail mountable**
- **Current Capacity: 10A / 20A / 40A**
- **Terminal Cover for greater safety**
- **LED indicator turns on when operation**
- **RoHS Compliance**

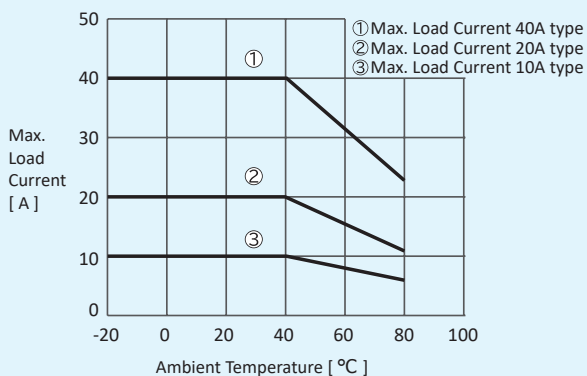
**SPECIFICATIONS**

■ Power Supply	: 100 to 240V 50/60Hz
■ Operational Load Voltage Range	: 50 to 264V 50/60Hz
■ Current Capacity	: 10A, 20A, 40A (Ambient Temperature below 40°C)
■ Control Input	
Control Voltage	: 4.5 to 32V DC
Off Voltage	: 1.0V DC max
Input Impedance	: 1.5 to 8kΩ ±20% (I <sub>in</sub> less than 5mA, Operating Temperature 25°C)
■ Control Element:	: Triac
■ Control Mode:	: Zero voltage switching
■ Output Characteristics:	
Leakage Current (when output 'OFF')	: 12mA max
Voltage Drop (when output 'ON'):	: 1.5V max
Minimum Operational Current	: 100mA
■ Operational Lamp	: Red LED lamp
■ Applicable standard	: RoHS Compliance
■ Operating environment conditions	
Temperature	: -20 to 80°C
Humidity	: 90% RH max. (no dew condensation)
Elevation	: 2000 m above sea level or lower
Pollution class	: 2 (IEC 60664)
■ Insulation Resistance	: Between input/output terminals and housing case 500V DC 100 MΩ min
■ Dielectric strength	: Between input/output terminals and housing case 2500V AC 1 minute
■ Storage temperature	: -30 to 100°C
■ Weight	: 10A / 240g 20A / 320g 40A / 420g

**ORDERING INFORMATION**

ITEM	CODE	SPECIFICATIONS
SERIES	PAC04-	Zero Voltage Switching Control, Solid State Relay with Radiating Fin
CURRENT CAPACITY	010-	10A
	020-	20A
	040-	40A
REMARKS	0	Without
	9	With (Please consult before ordering.)

**AMBIENT TEMPERATURE & LOAD CURRENT CHARACTERISTIC**



Be sure to provide enough ventilation to prevent the temperature increase.

Heat generated by PAC04 is lead from following equation  
: **Heat Value (W) = 1.5 (V) x Load Current (A)**

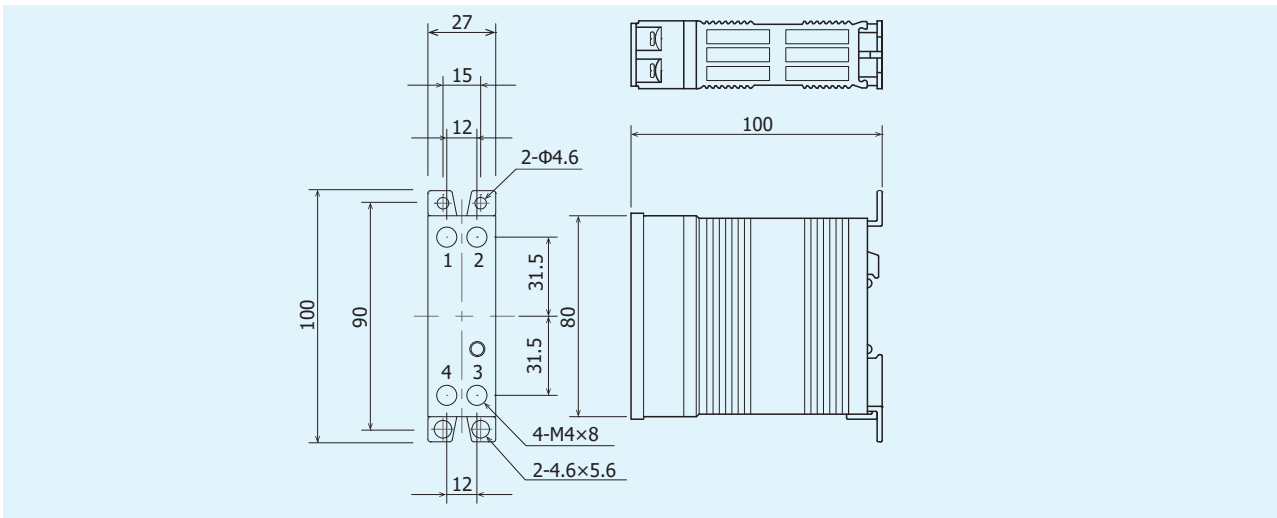
\* Voltage Drop (when output 'ON'): 1.5V max

\* **Vertical mounting is recommended.**

**EXTERNAL DIMENSIONS**

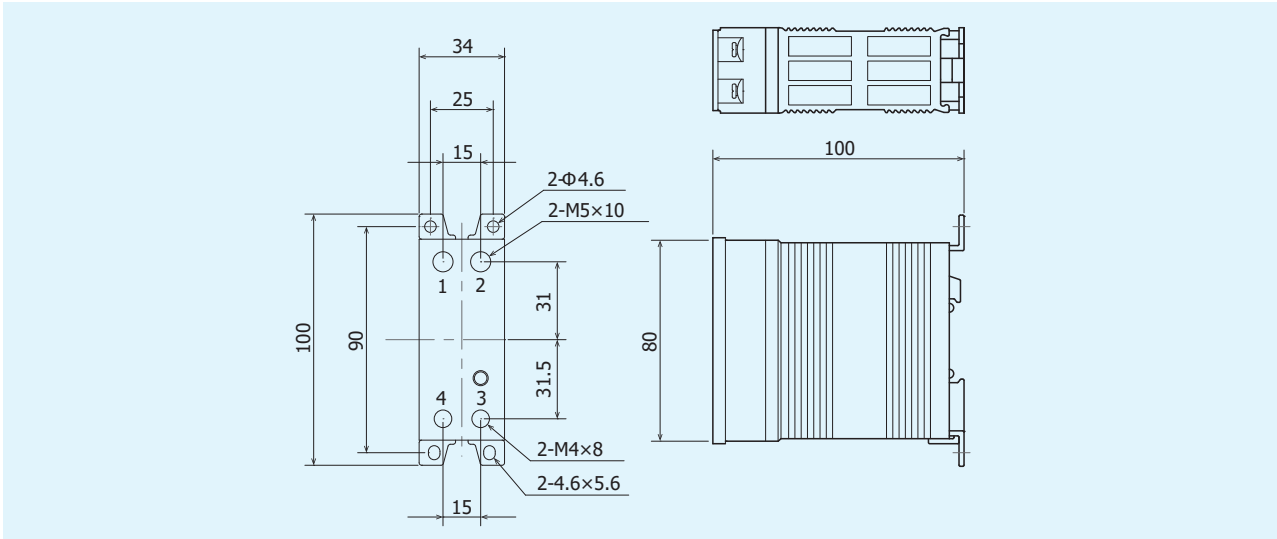
■ **10A Type**

Weight: Approx. 240g



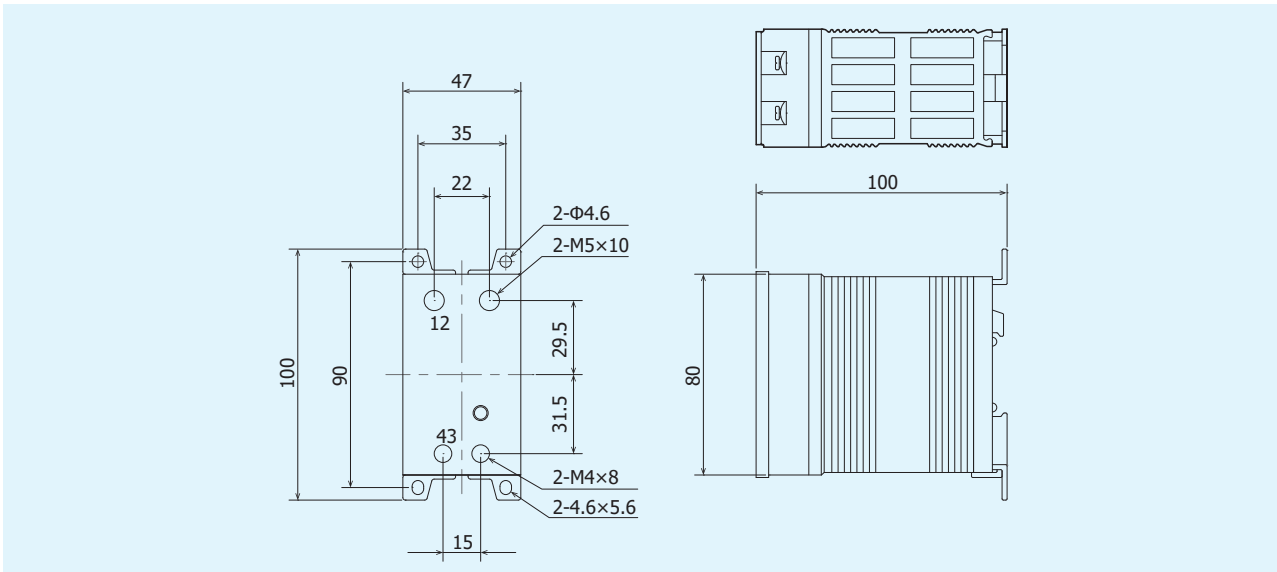
■ **20A Type**

Weight: Approx. 320g



■ **40A Type**

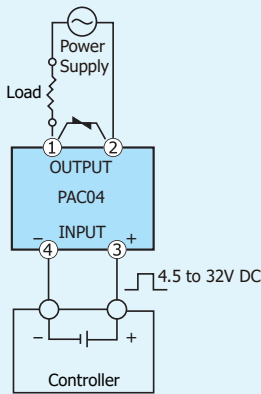
Weight: Approx. 420g



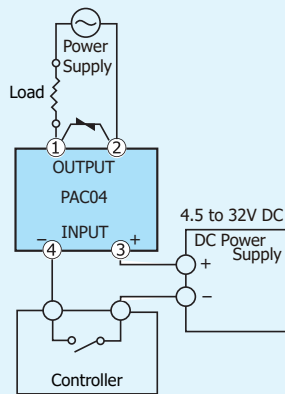
Note: When more than 2 units are mounted together without space, 90% of rated load current at maximum.  
 Note: When a unit is mounted horizontally, 90% of rated load current at maximum.

**WIRING EXAMPLE**

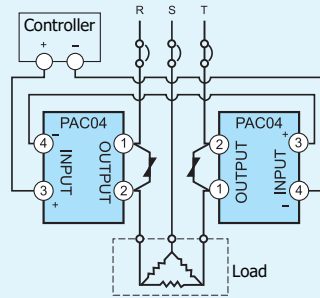
**1. In case of with controller with SSR drive voltage output**



**2. In case of with controller with contact output**

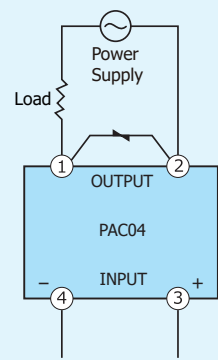


**3. Three phase circuit control of Delta or Star circuit with 2 units of PAC04**



In case of with Shimaden "SR" Series controller, please configure it in series shown as above.

Make sure to connect "Ceramic Barister" between terminal 1 and 2 for the prevention of surge



**Warning**

\* The PAC04 Series is designed for the control of temperature, humidity and other physical values of general industrial equipment. It is not be used for any purpose which regulates the prevention of the serious effect on human life or safety.

**Warning**

\* The possibility of loss or damage to your system or property as a result of failure of any part of the process exists, proper safety measures must be made before the instrument is put into use so as to prevent the occurrence of trouble.

**Head Office & Saitama Factory**  
**ISO 9001/ISO 14001 Certification Obtained**

(The contents of this brochure are subject to change without notice.)

**Temperature and Humidity Control Specialists**  
**SHIMADEN CO., LTD.**

Head Office: 2-30-10 Kitamachi, Nerima-Ku, Tokyo 179-0081 Japan  
 Phone: +81-3-3931-7891 Fax: +81-3-3931-3089  
 E-MAIL: exp-dept@shimaden.co.jp URL: http://www.shimaden.co.jp