

°C	<h1 style="margin: 0;">Series NF2000C</h1> <h2 style="margin: 0;">Single Phase 2-Wire Type Noise Filter</h2>
%RH	
SHIMADEN	



BASIC FEATURES

- Reduction in size and weight realizes a 50% reduction compared to the past model
- Excellent high attenuation characteristics (corresponding to our thyristor power regulator PAC series)
- High rated voltage of AC 500V
- Low leakage current 3mA
- EN 55011 group 1 class A
- RoHS directive supported

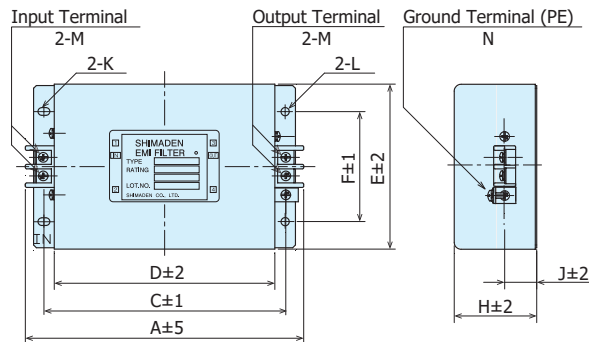
SPECIFICATIONS

- Rated voltage : 500V AC (50/60Hz)
- Rated current capacity : 20A, 30A, 50A, 60A, 80A, 100A, 150A, 200A
- Dielectric strength : 2000 VDC / 1 min. Terminal-Case
- Insulation resistance : 500 VDC / 1 min. later More than 100 MΩ Terminal-Case
- Applicable standard : Complies with RoHS Directive
- Leakage current : 3.0mA MAX 500 VAC 50Hz by UL1283
- Overload current : Rated Current × 150%, 1 minute
However, no change in characteristics and configuration case.
- Operating Temperature Range : -20–50 °C
Installation must be done on a metal plate (install the filter on wall)
- External Dimensions : Refer to model code table

MODEL CODE & EXTERNAL DIMENSIONS

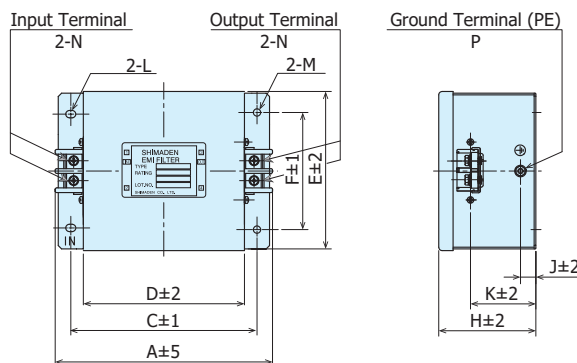
SERIES NF2000C

Model Code	Current Capacity	Dimensions (unit: mm)										Weight (Kg)	Case Material	
		A	D	E	F	H	J	K	L	M	N		Main Unit	Bottom Cover
NF2020C-SDG	20A	154	110	95	70	50	20	R2.25 Length 6	Φ4.5	M4	M4	0.8	SPCC Ni.Plating	
NF2030C-SDG	30A	154	110	95	70	50	20	R2.25 Length 6	Φ4.5	M4	M4	0.8		
NF2050C-SDG	50A	180	130	110	80	70	25	R2.75 Length 7	Φ5.5	M6	M4	1.5	SPCC Ni Plating	SUS304
NF2060C-SDG	60A	180	130	110	80	70	25	R2.75 Length 7	Φ5.5	M6	M4	1.6		



unit: mm

Model Code	Current Capacity	Dimensions (unit: mm)											Weight (Kg)	Case Material	
		A	D	E	F	H	J	K	L	M	N	P		Main Unit	Cover
NF2080C - SDG	80A	205	150	120	90	90	20	63	R2.75 Length 7	Φ5.5	M8	M6	2.4	SGCC or SECC	SUS304
NF2100C - SDG	100A	205	150	120	90	90	20	63	R2.75 Length 7	Φ5.5	M8	M6	2.6		
NF2150C - SDG	150A	255	200	170	140	130	20	103	R3.25 Length 8	Φ6.5	M8	M6	6.0		

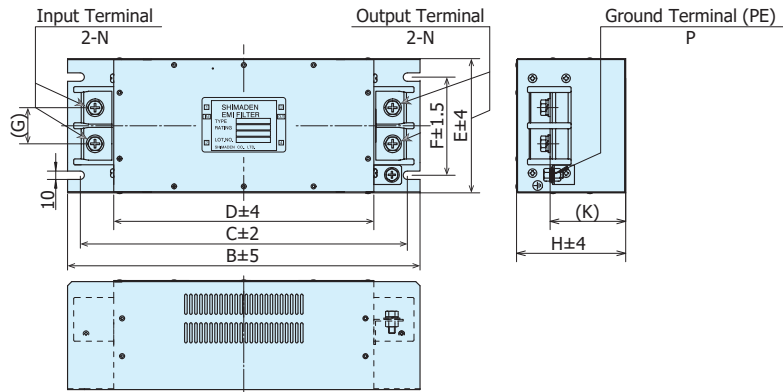


unit: mm

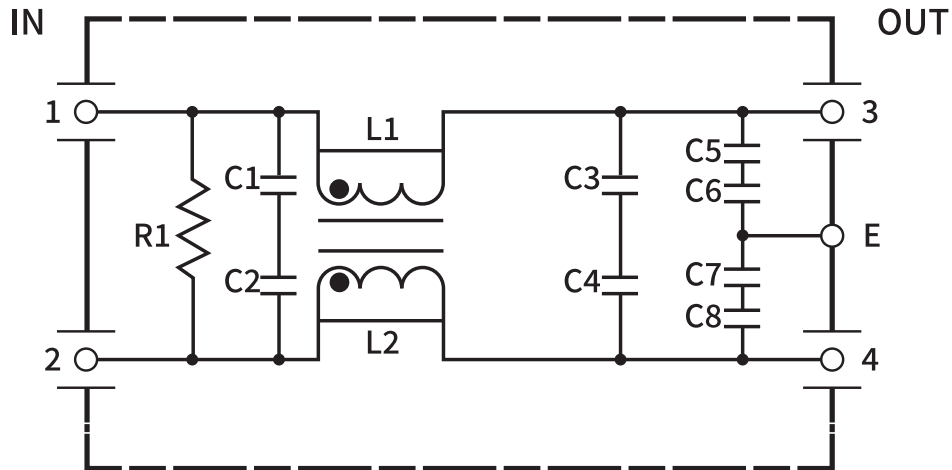
MODEL CODE & EXTERNAL DIMENSIONS

SERIES NF2000C

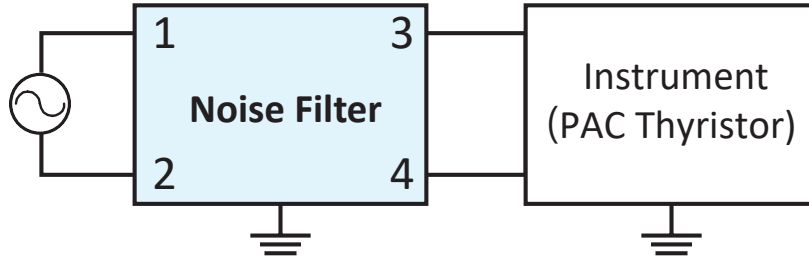
Model Code	Current Capacity	Dimensions (unit: mm)								Weight (kg)	Case Material
		B	D	E	F	H	K	N	P		Main unit / Cover
NF2200C - SDG	200A	420	310	160	117	130	90	M10	M8	8.5	SGCC or SECC




unit: mm



APPLICATION EXAMPLE



■ The contents of this material are subject to change without notice.

 WARNING	<p>* Be sure to follow the instruction manual when operating this device.</p> <p>* This device is designed for industrial use to control temperature, humidity and other physical values. Avoid using it for control of devices upon which human life is dependent.</p> <p>* If the possibility of loss or damage to your system or property as a result of failure of any parts of the process exists, proper safety measures must be made before the instrument is put into use so as to prevent the occurrence of trouble.</p>
---	---

Head Office & Saitama Factory
 ISO 9001/ISO14001 Certification Obtained

Temperature and Humidity Control Specialists

SHIMADEN CO., LTD.

Head Office: 2-30-10 Kitamachi, Nerima-ku, Tokyo 179-0081 Japan
 Phone: +81-3-3931-7891 Fax: +81-3-3931-3089
 E-MAIL: exp-dept@shimaden.co.jp URL: <https://www.shimaden.co.jp>