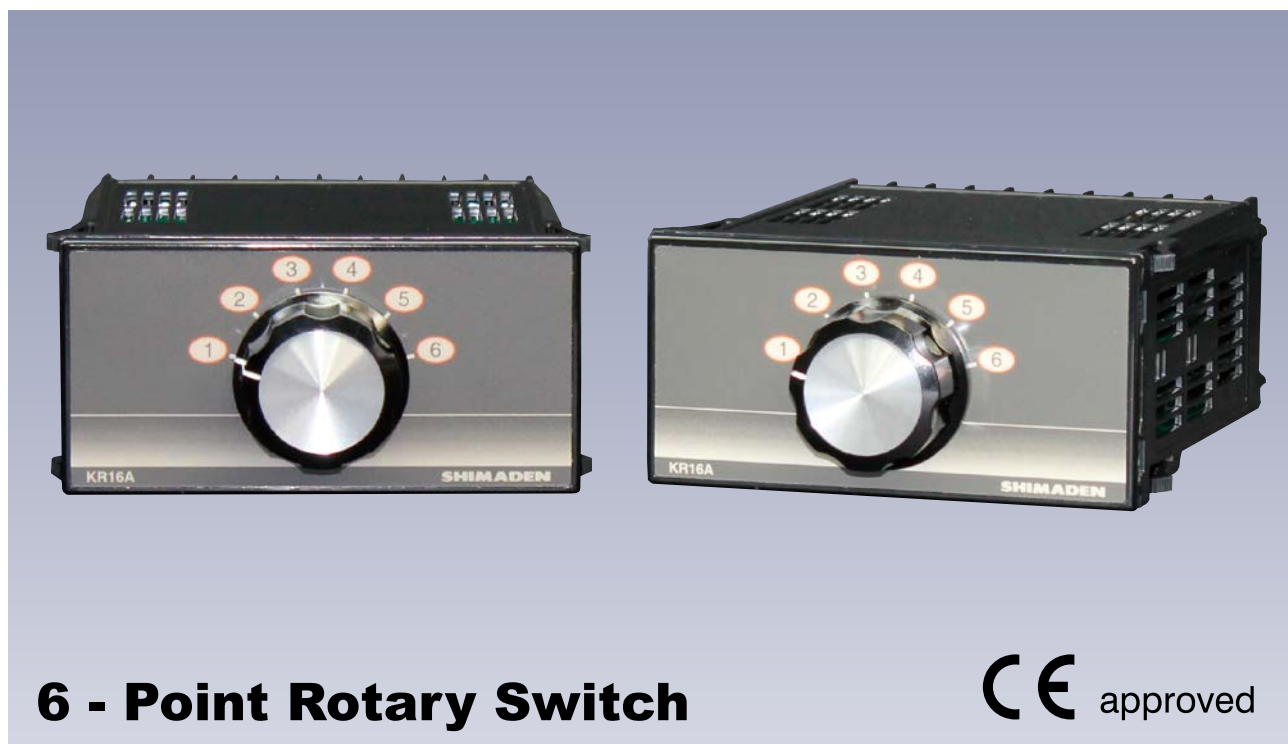


°C
%RH
SHIMADEN

Series KR16A

KR16A SERIES SELECTOR SWITCH



6 - Point Rotary Switch

CE approved

SPECIFICATIONS

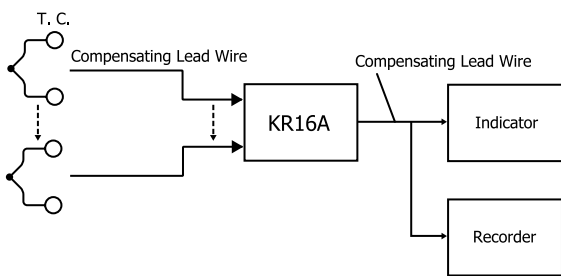
* No of switching points	: 6
* No of switching circuits	: 2
* Switching operation	: Rotary switching
* Applicable signal	: Thermocouples, voltage (R.T.D. not applicable)
* Contact rating	
Contact method	: Slide type
Voltage	: 30V DC Maximum
Current	: 100mA DC maximum
Contact resistance	: 300m ohms maximum
* Ambient temperature/humidity range conditions for operation	: -10 - +50°C / 90% RH maximum (no dew condensation)
* Material	: Resin molding
* Color	
Front and case	: Mansel value N1 equivalent
* External dimensions	: H48 x W96 x D118mm (in panel 100mm)
* Panel cutout	: H45 x W92 mm
* Mounting	: Flush in panel (snap-in)
* Panel thickness	: 1 - 4mm
* Weight	: Approx. 250g

ORDERING INFORMATION

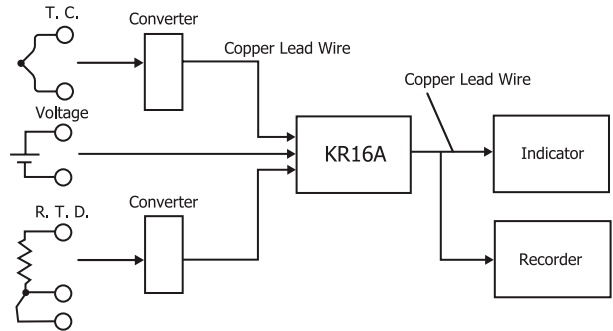
ITEMS	CODE	SPECIFICATIONS
SERIES	KR16A -	Rotary type 6points selector switch
REMARKS	0	Without
	9	With (Please consult before ordering.)

APPLICATION EXAMPLE

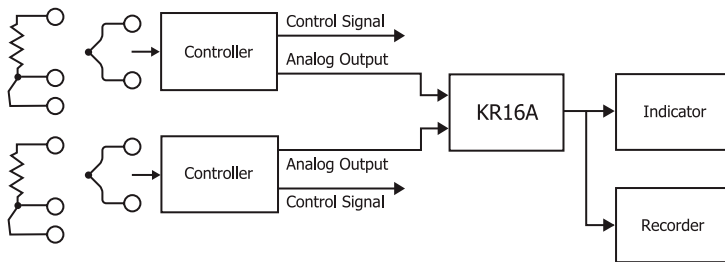
1. Selection of Thermocouple Switching



2. Selection of Voltage Switching



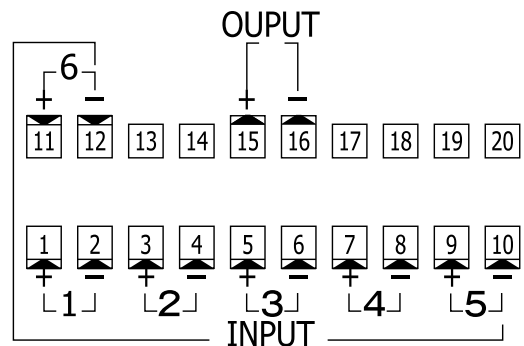
3. Selection of Analog Output (Voltage)



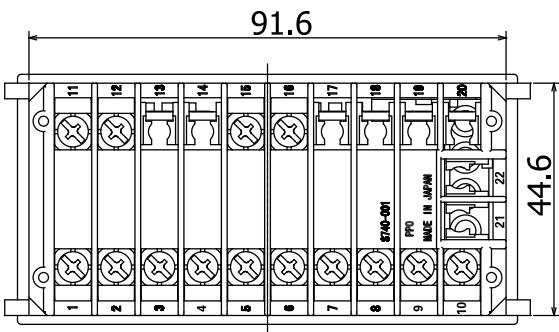
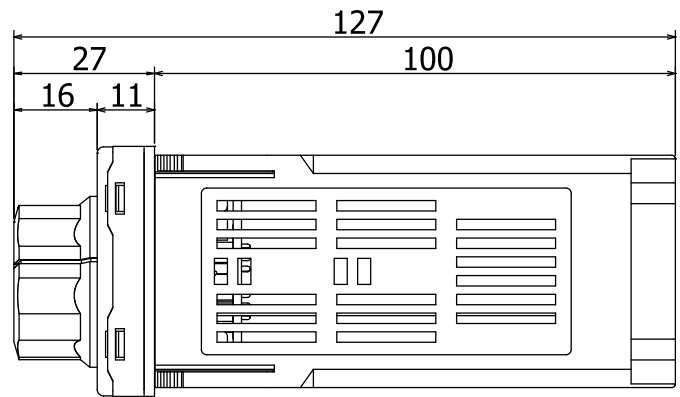
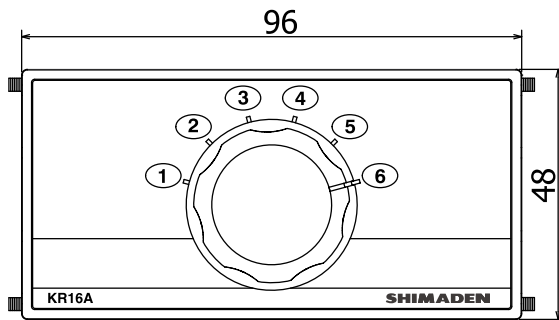
4. Installation Example with SD16A



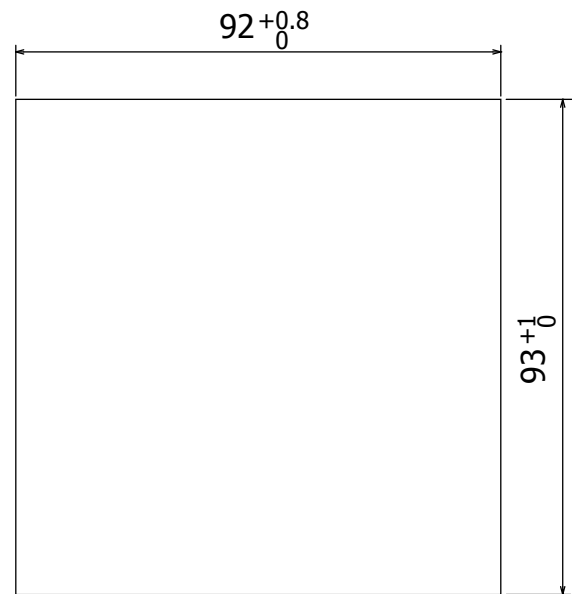
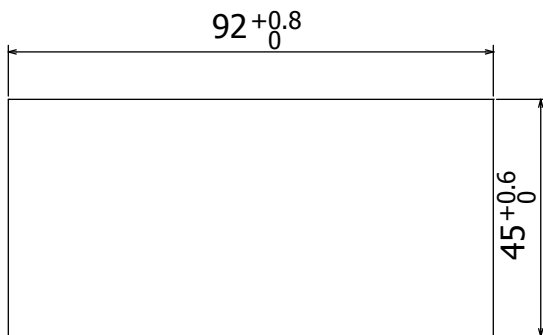
Terminal Arrangement



External Dimensions



Panel Cutout



In case of installed with SD16A

 Warning

- * The KR16A Series is designed for the control of temperature, humidity and other physical values of general industrial equipment. It is not to be used for any purpose which regulates the prevention of the serious effect on human life or safety.



- * The possibility of loss or damage to your system or property as a result of failure of any part of the process exists, proper safety measures must be made before the instrument is put into use so as to prevent the occurrence of trouble.



The contents of this manual are subject to change without notice.

Temperature and Humidity Control Specialists
SHIMADEN CO., LTD.

Head Office: 2-30-10 Kitamachi, Nerima-ku, Tokyo 179-0081 Japan
Phone: +81-3-3931-7891 Fax: +81-3-3931-3089
E-MAIL: exp-dept@shimaden.co.jp URL: <http://www.shimaden.co.jp>

